

# TECHNICAL DATA SHEET

## S.3929

### MEGASLOT DOWNLIGHT

# SIMES

luce per l'architettura

#### -PRODUCT TYPE

Down-light luminaire .  
IP rating IP 65

#### -MATERIAL CHARACTERISTICS

Aluminium die cast housing in EN AB-47100 and extruded EN AW-6060 with high resistance against corrosion.

Stone wash surface treatment prior to painting process.

A4 grade Stainless Steel screws with 2,5-3% molybdenum content which increases the resistance against corrosion.

Silicone gaskets.

Painting Process :

3 Step Process

1) Surface treatment with BONDERITE . A heavy metal free chemical surface treatment containing ceramic nano particles giving a cohesive, inorganic and highly dense protective coating .

2) PRE POLYMERIZATION a process of introducing an epoxy primer with excellent characteristics to the paint which also offers very high resistance to oxidation due to its Zinc content.

3) POLYMERIZATION a process with the application of polyester powder with high resistance against UV rays and harsh weather conditions. Improved protection for Marine applications.

Mechanical resistance of glass IK 08

#### -LIGHTING PERFORMANCE

Reflector in 99.98% pure aluminium .

Clear toughened glass 12 mm thick.

LOR 54%

#### -WIRING

Single cable entry sealed with B component epoxy resin, wired internally protected by silicon sheaths.

Fast connector IP67 (Ø 6÷12 mm) supplied as standard for single cable connection .

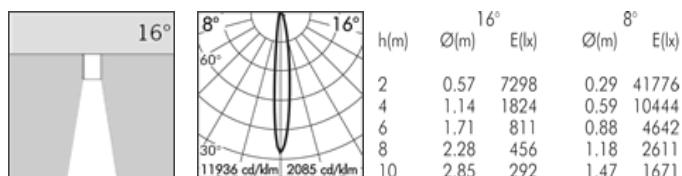
Isolation: CLASS I .

Available colours: ALUMINIUM GREY (cod.14), ANTHRACITE GREY (cod.24).

Weight: 11.6 Kg

Glow Wire test: 850°C

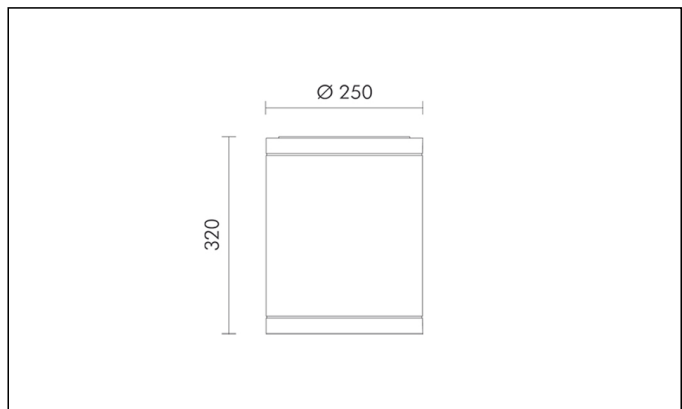
Lamp not included.



HIT-CRI 150W G12 14000 lm  
Magnetic transformer 230÷240V 50Hz

IP 65

CE



LAST UPDATE 01/09/2009

SIMES S.p.A.  
Via G.Pastore 2/4  
25040 - Corte Franca - BRESCIA (ITALY)  
http://www.simes.com - e-mail: simes@simes.com

Tel:  
Export Sales: +39 0309860430  
Technical Dep. +39 0309860450  
Lighting Design Dep.: +39 0309860425

Fax:  
Export Sales: +39 0309860439  
Technical Dep.: +39 0309860459  
Lighting Design Dep.: +39 0309860429



The present technical data sheet and all the information contained is property of SIMES S.p.A. All rights reserved.  
We reserve the right to change specifications without prior written notice.

# TECHNICAL DATA SHEET

## S.3929

### ACCESSORIES FOR MEGASLOT DOWNLIGHT

SIMES  
luce per l'architettura



**S.3986**  
**COLOURED FILTER**

Red  
All the lenses and the coloured filters must be installed below the front glass. It's possible to install only an accessory at a time, so it's not possible to install coloured filters and lenses together.



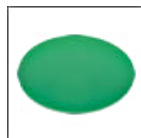
**S.3987**  
**COLOURED FILTER**

Blue  
All the lenses and the coloured filters must be installed below the front glass. It's possible to install only an accessory at a time, so it's not possible to install coloured filters and lenses together.



**S.3988**  
**COLOURED FILTER**

Yellow  
All the lenses and the coloured filters must be installed below the front glass. It's possible to install only an accessory at a time, so it's not possible to install coloured filters and lenses together.



**S.3989**  
**COLOURED FILTER**

Green  
All the lenses and the coloured filters must be installed below the front glass. It's possible to install only an accessory at a time, so it's not possible to install coloured filters and lenses together.



**S.3981**  
**EXTENSIVE LENS**

All the lenses and the coloured filters must be installed below the front glass. It's possible to install only an accessory at a time, so it's not possible to install coloured filters and lenses together.  
It enlarges the standard beam from 16° to ~42°.

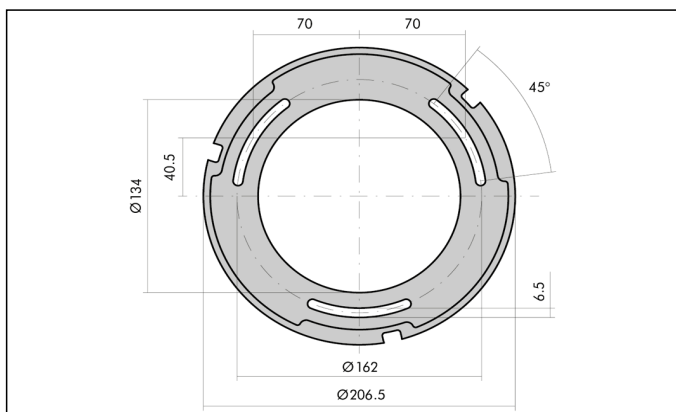


**S.3980**  
**ELLIPSOIDAL LENS**

All the lenses and the coloured filters must be installed below the front glass. It's possible to install only an accessory at a time, so it's not possible to install coloured filters and lenses together.  
For versions with 8° reflector. It enlarges the standard beam from 58° to ~62°.

## Further information

### FIXING BASE



LAST UPDATE 01/09/2009

SIMES S.p.A.  
Via G.Pastore 2/4  
25040 - Corte Franca - BRESCIA (ITALY)  
<http://www.simes.com> - e-mail: [simes@simes.com](mailto:simes@simes.com)

Tel:  
Export Sales: +39 0309860430  
Technical Dep. +39 0309860450  
Lighting Design Dep.: +39 0309860425

Fax:  
Export Sales: +39 0309860439  
Technical Dep.: +39 0309860459  
Lighting Design Dep.: +39 0309860429



The present technical data sheet and all the information contained is property of SIMES S.p.A. All rights reserved.  
We reserve the right to change specifications without prior written notice.