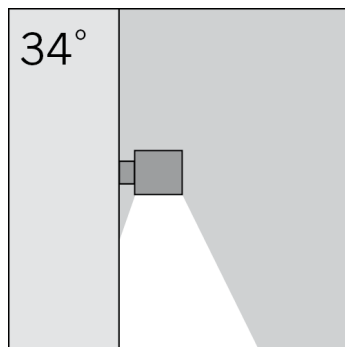
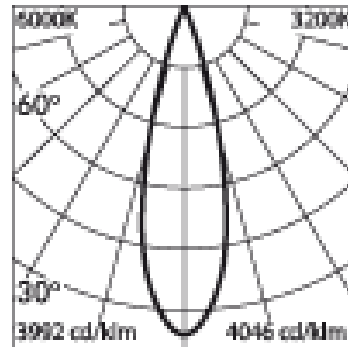
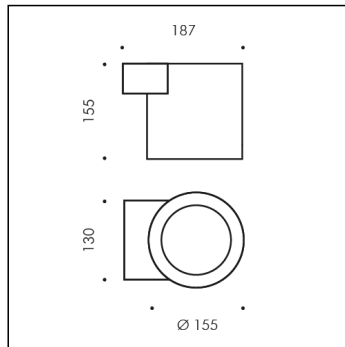


LOFT ROUND WALL



| h(m) | 28° Ø(m) | 6000K E(lx) | 3200K E(lx) |
|------|-------------|----------------|----------------|
| 2 | 1.00 | 979 | 896 |
| 4 | 1.99 | 245 | 224 |
| 6 | 2.99 | 109 | 100 |
| 8 | 3.99 | 61 | 56 |
| 10 | 4.99 | 39 | 36 |

Item no longer in the catalogue.

S.6680

5 module LED 6000K 220-240Vac ON-OFF
Wall mounted



Light Source Technical Data

| | |
|--------------------------------|--------|
| Light source type: | LED |
| Colour temperature: | 6000K |
| Rated module luminous flux: | 1437lm |
| Rated luminaire luminous flux: | 980lm |
| Rated module power: | 13.5W |
| Rated luminaire power: | 15.4W |
| Luminaire efficacy: | 64lm/W |
| Color Rendering Index: | CRI 75 |

Power Supply Technical Data

| | |
|-----------------|-----------------------|
| Voltage (AC): | 220-240Vac |
| Frequency (AC): | 50/60Hz |
| Dimmable: | NOT DIMMABLE (ON-OFF) |

Technical Installation Data

| | |
|------------------------------|-------|
| Electrical insulation class: | I |
| Protection class IP: | IP65 |
| Mechanical resistance: | IK06 |
| Weight: | 2.8Kg |

Temperature and life time Technical Data

| | |
|--------------------------------------|-------------------------|
| LED Lifetime: | L80 B10 70.000h Ta 25°C |
| | L80 B10 50.000h Ta 40°C |
| Lifespan of the LUMINAIRE: | min. 70.000h Ta 25°C |
| | min. 50.000h Ta 40°C |
| Performance ambient temperature: | Tq 25°C |
| Operating ambient temperature range: | da -20°C a +50°C |
| Storage temperature range: | da -20°C a +60°C |

WARRANTY

All Simes products are covered by an extended 5-year warranty. For terms and conditions, see www.simes.it/warranty

LOFT ROUND WALL**S.6680****SPECS SHEET****LUMINAIRE TYPE**

Wall mounted luminaire. IP rating IP 65

MATERIAL CHARACTERISTICS

Aluminium die cast housing in EN AB-47100 (low copper content) with high resistance against corrosion. Stone wash surface treatment prior to painting process. Steel screws treated with an advanced anticorrosive coating. Silicone Gaskets. **Extra-resistant Painting Process:** Extra-resistant exterior coating. Product suitable for applications in high-humidity environments, C5 ZONE (according to UNI EN ISO 9223:2012). Mechanical resistance IK 06

LIGHTING PERFORMANCE

Miniloft Round S.6628W, S.6628N, S.6658W and S.6658N available since 04/2020 with new comfort optics. Loft Round S.6680W, S.6680N, S.6689W e S.6689N available since 11/2019 with new comfort optics.

Reflector in 99.98% pure anodized aluminium (with TC and HIT lamp version). Clear toughened glass. LOR --. Lamp adjustable $\pm 15^\circ$ position.

INSTALLATION AND MAINTENANCE

For MICROLOFT cable @ @ {TipoCavo} @ @ sealed and pre-wired . For MINILOT and LOFT with the pre-wired connecting wall plaque and its fast connector make the installation and maintenance process quick, easy and safe.

WIRING

Single cable entry . Isolation: CLASS I . Available colours: White (cod.01), Aluminium grey (cod.14). Weight: 2.8 Kg Glow Wire test: --

LED module included

LOFT REGISTERED DESIGN

This luminaire contains built-in LED modules. In case of damage or malfunction please contact the manufacturer to receive additional instructions on how to replace and relative spare parts to order. The LED modules cannot be handled in the luminaire by the end user.

LED modules are engineered accordingly to the existing regulations of Lumen Maintenance (LM80) and Technical Memorandum (TM21), where uniformity and quality of the light is 70,000 hours referred to L80 B10 Ta 25 ° C (50,000 hours referable to L80 B10 Ta 40°C). Lifespan of the luminaire min. 70.000 hours Ta 25°C, min. 50,000 hours at 40°C. Performance Ambient temperature Tq 25°C. Operating ambient temperature range is from -20°C to +50°C. Storage temperature range from -20°C to +60°C.

ELECTRONIC EQUIPMENT SENSITIVE TO OVERVOLTAGE.

We recommend installing surge protection devices "SPD" in the electrical system. Protection devices prevent the intensity of these phenomena's, protecting the appliances from the risk of being damaged and extending the lifespan. Outdoor luminaires are subject to all types of permanent, temporary, or transient electrical disturbances. Such disturbances can create permanent damage or failure affecting its performance and durability. The surge protection device (supplied by SIMES) is utilized to limit the destructive effect of these phenomena. We suggest that each luminaire must be connected to one protection device at not more than 10m away. For correct coordination of the protections, a surge protection device must also be provided inside the electrical panel of the system (the selection of this device must be carried out from the electrical designer and is not supplied by SIMES).

WARRANTY

All items produced from 01/01/2026 onwards are covered by a 5 (five)-year warranty against manufacturing and conformity defects, in accordance with the terms and limits set out in the manufacturer's official documentation. For full details, exclusions and warranty activation procedures, please refer to the following link: www.simes.it/warranty