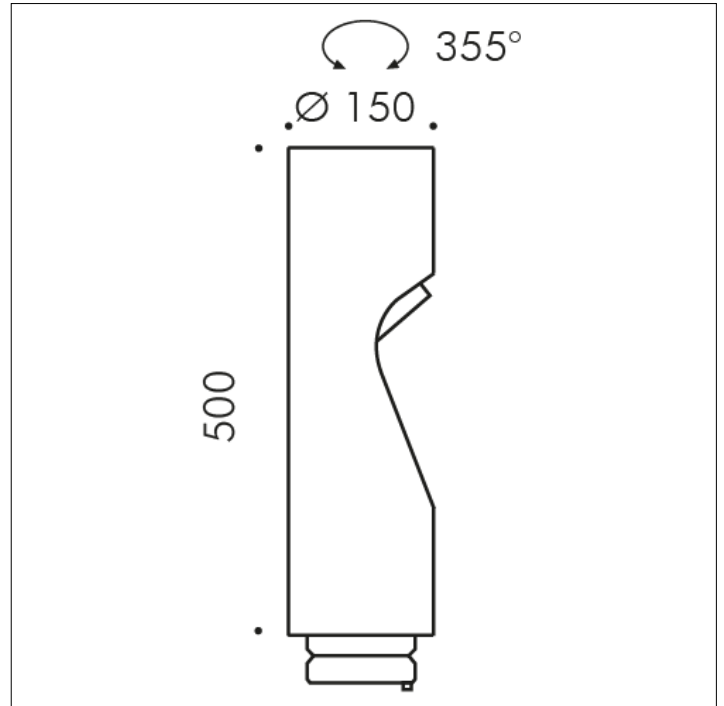


ACCESSORY

**S.1499
SHIFT PRO ADDITIONAL HEAD WITH SPEAKER**

Rated power input 10W Maximum power input 20W Nominale impedance 8Ohm Nominal Voltage 100V Sensitivity 1W/1m 87 dB
Frequency response 100-20K Hz IP 65

Possibility to add to SHIFT PRO POLE up to three additional heads, obtaining a configuration of two or maximum four heads.

Accessory available in the following colors: Black (cod.09), Anthracite grey (cod.24)