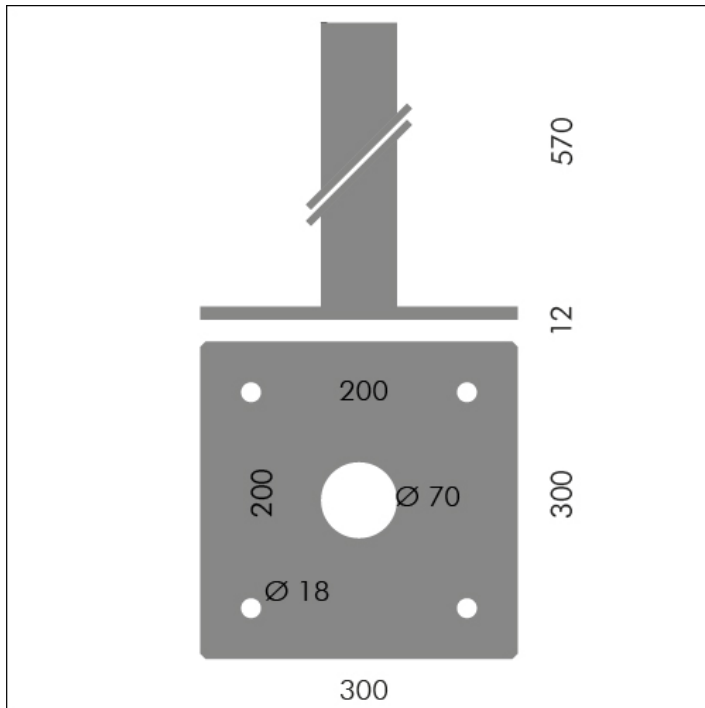


ACCESSORY

**S.1468**
FIXING BASE FOR MINISHIFT POLE

Base 300x300mm Spacing 200x200mm Holes for $\varnothing 18$ mm mandatory for the installation of MINISHIFT POLE or S.1469 ANCHORING BASE

Accessory available in the following colors: Black (cod.09), Anthracite grey (cod.24)