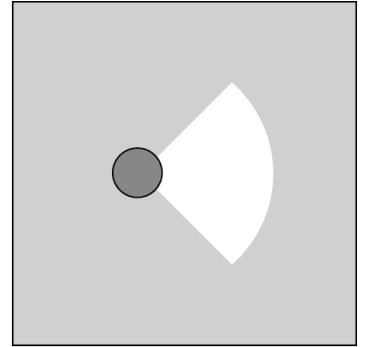
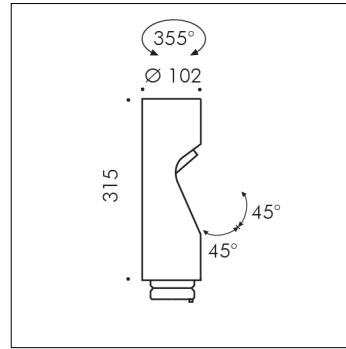


## ACCESSORY

**S.1466W  
MINISHIFT ADDITIONAL HEAD WITH 51° OPTIC**

LED MODULE 3000K CRI90 1363lm 14,7W 220V-240Vac  
50/60Hz Dimmable DALI 2 / PUSH IK10

Possibility to add to MINISHIFT BOLLARD AND MINISHIFT  
POLE up to two additional heads, obtaining a configuration of two  
or maximum three heads.

Accessory available in the following colors: Black (cod.09),  
Anthracite grey (cod.24)