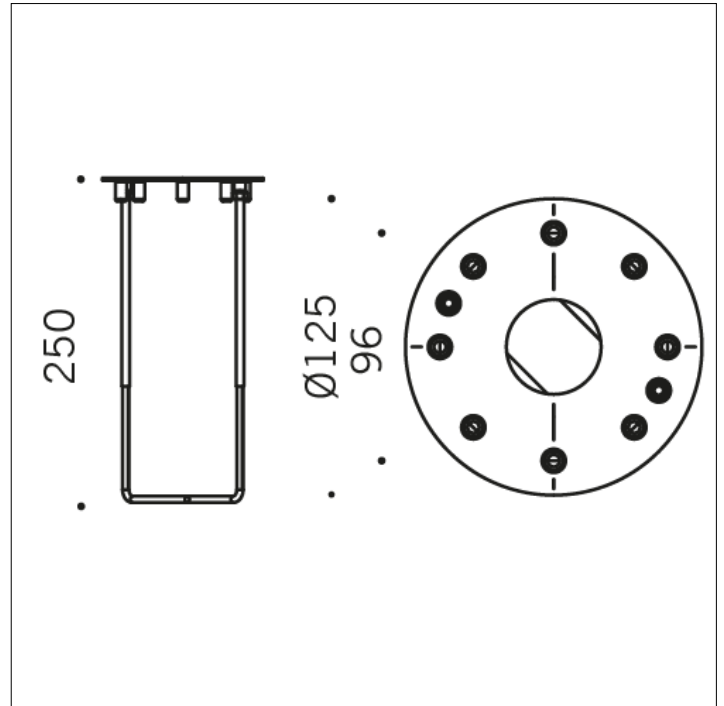


ACCESSORY

**S.5680
ANCHOR FLANGE TO BE CEMENTED TO THE
GROUND**

For applications in driveways areas, the luminaires must be installed with its proper anchor flange. The flange is provided with the necessary fixing A4 screws in stainless steel.