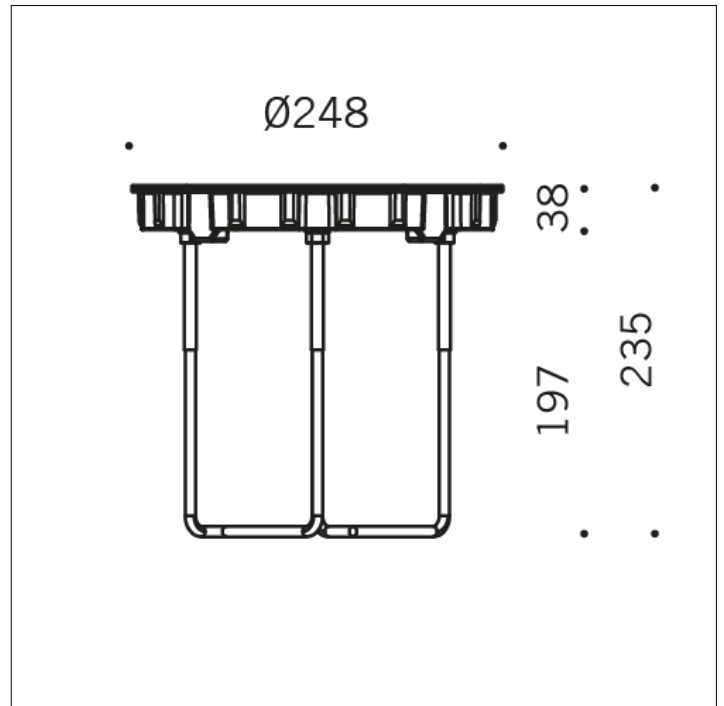


ACCESSORY

**S.2119
FLANGE**

Flange Ø 248mm h 235mm to be fixed in concrete with stainless steel screws for fixing in the ground. Footstall dimension can be calculated according to your country norms and ground properties.